

labmodul

SYSTEM CAPACITY



SYSTEM CAPACITY

- ┌ Spacious with extra storage capacity
- ┌ Prepared for trays and baskets
- ┌ High quality for daily use
- ┌ Designed for GMO facilities
- ┌ Pure design
- ┌ Great carrying capacity for heavy equipment
- ┌ Easy to clean



System Capacity

CAPACITY fully exploits the room beneath the worktop and offers a large storage capacity.

It is stationary, stable and particularly suited for laboratories with heavy equipment.

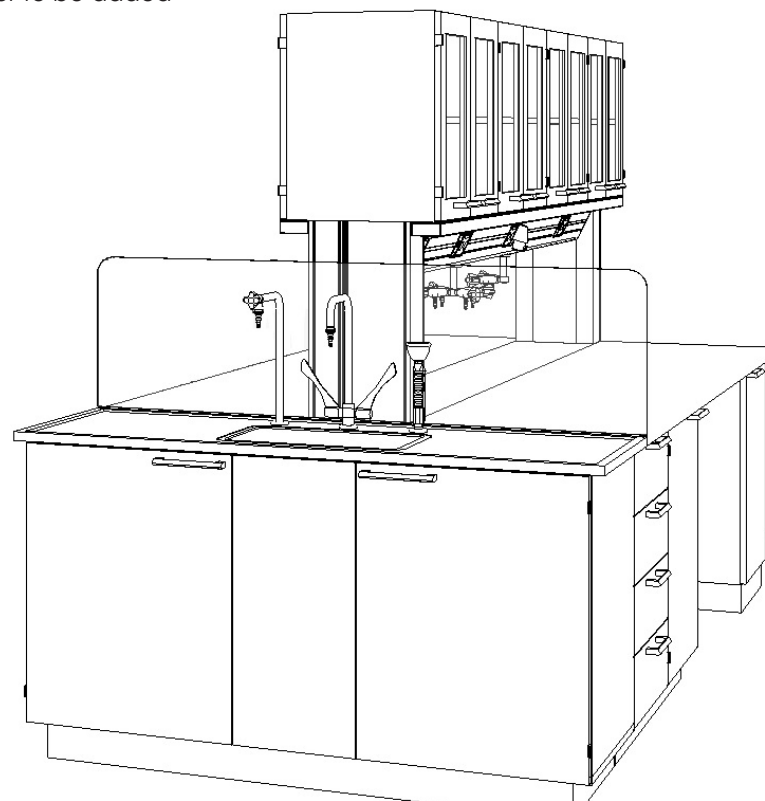
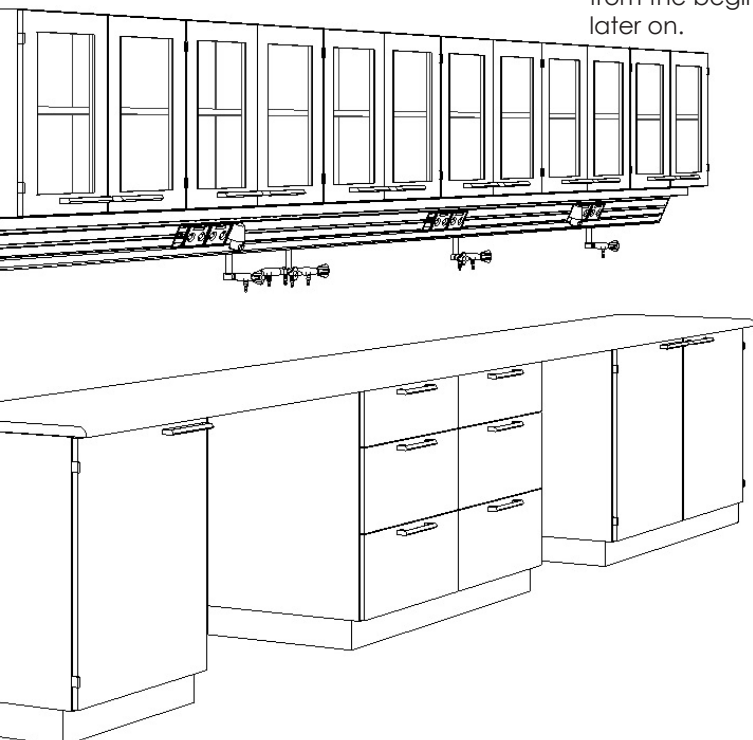
The cabinets come in two heights adjusted to standing or sitting work tasks.

The cabinets are prepared for mounting of 60/40 storage system panels and can be delivered with system trays and baskets – either from the beginning or to be added later on.

Dishwashers and other equipment up to a height of 87 cm can be placed under the bench tops.

CAPACITY can be combined with our other furniture systems.

Benches can be fitted with a service bridge containing light and built-in installations for power, gasses and water etc.





A wide programme

Capacity is offered with cabinet box and fronts made of compact laminate for working environments demanding a solution of inorganic materials, resistant to humidity and water.

Base cabinets are mounted on a laminated waterproof plinth. This is an easy-to-clean solution meeting all GMO furnishing demands.

The cabinets are prepared for the extensive ISO tray/basket system 60/40.

The flexibility provides extra storage room and the tray system offers unlimited possibilities for further division and organization of small parts.





Capacity for GM

Capacity is suitable for laboratories with high cleaning demands.

Undercabinets are mounted on a waterproof plinth clad in laminate.

This solution covers all GMO requirements.

The cabinets are prepared to adapt to the comprehensive ISO tray/basket system 60/40.

Solutions for Clean Rooms

Capacity is offered with cabinet body and -fronts made from compact laminate for clean rooms and other work environments that requires unorganic materials that can withstand water and moisture.





Service Bridges

The service bridges/panels have built-in working light that illuminates the worktops with a convincing 900 lux. The distribution of the light above the worktops creates a clear and comfortably lit working area.

The lighting fittings have tight-fitting transparent lids for easy and efficient cleaning.

The service bridges/panels are offered in two versions- a low model with horizontal plugs and a high model with vertical plugs.

The low model maximises between opposite working areas.

The high model gives easy access to the plugs and is advantageous where equipment is often plugged in or out.



Installations

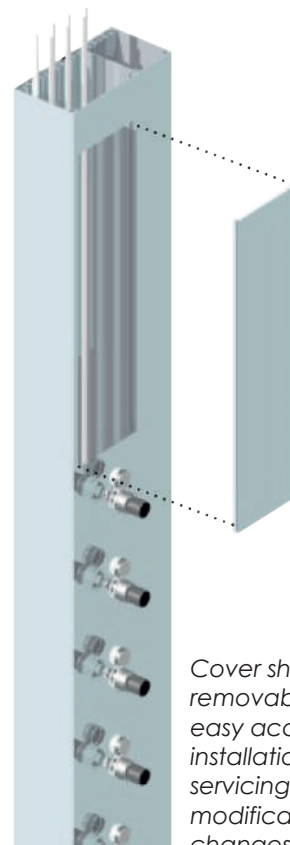
Both models are prepared for additional mounting of extra outlets.

The service bridges/panels are delivered with all technical installations and outlets for power and plumbing ready for use.

The installations end in a chosen pick-up point for quick and easy connection to the building's installations.



By utilizing the combinations units between 1 and 2 module cover plates, in conjunction with the movable cover can technique tower simply and flexibly meet a variety of functional requirements and configurations.



Cover sheets removability gives easy access during installation and servicing. Future modifications / changes are made easy.



Fronts

- Heighpressure laminate
- Compact laminate
- Linolium
- Corian



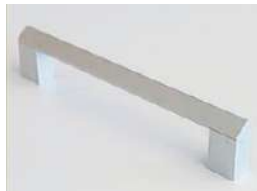
Glass cabinet fronts

- Natural anodised 20 mm aluminum frame with 110° hinges
- White powder coated 20 mm aluminum frame with 110° hinges
- Laminate 60 mm frame with 270° hinges
- Laminate 60 mm frame concealed 110° hinges



Handles

- Standard logistics aluminum handles with inclined surface for example Dymo strips. Width 190 mm
- Handle in brushed stainless steel. Width 160 mm
- Handle in matt aluminium. Width 160 mm



Countertops

Material options

- Laminate
- Compact laminate
- Stainless steel
- Corian
- Glass

Laminate colors

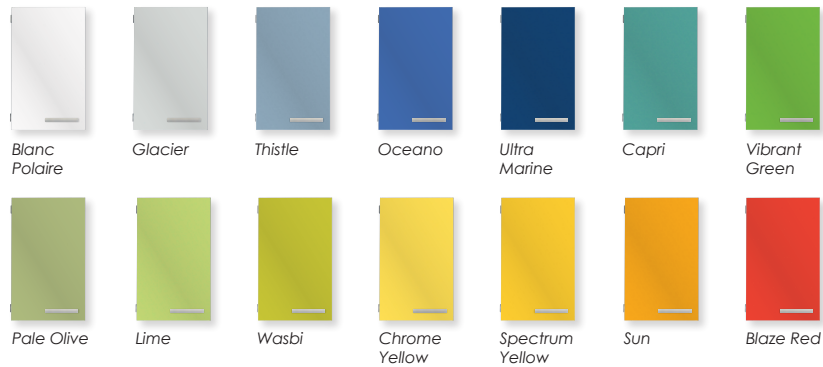


Fronts

Materials

- Laminate
- Compact laminate
- Corian

Laminate colors



Plinths

Two standard colors

Laminate colors



Tabletop profiles

Front edge

Rear edge



Postform



Compact laminate with Alu upturned edge



Trespa + laminate with Alu upturned edge



Stainless steel, with bead



Epoxy Resin with bead



Polypropylen with bead



Ceramic with bead





Accessories for Service Bridges

The unique bridge is prepared for various mounting solutions that intelligently indemnify the desktop for other tasks. The suspensions can be moved throughout the length of the bridge so that the desired function is at your fingertips



TOWEL HOLDER
Aluminium finish, width 570 mm

MOUNTINGS STAND
Aluminium finish, width 380 mm



PAPERTOWELHOLDER
Aluminium finish, W352 x D150 x H255 mm

PAPERTOWELHOLDER - 3 levels
Aluminium finish, W352 x D150 x H305 mm

KNIFE HOLDER
Aluminium finish, W380 x D80 x H370 mm



UNIVERSAL SHELF
Aluminium finish, W440 x D150 x H275 mm

DOUBLE SHELF
Aluminium finish, W380xD80xH275 mm

DOCUMENT HOLDER
Aluminium finish, W440 x D74 x H320 mm

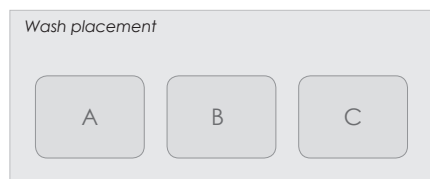


DEVIDER HOLDER
Aluminium finish, W380 x D190 x H255 mm

WASH RACK
Aluminium finish, W380 x D80 x H370 mm

CUP HOLDER
Aluminium finish, W147 x D150 x H335 mm, Incl. cup Ø147 mm

Sink worktops



Polypropylene sinks

PPDK1	265x117x185 mm, Drip cup
PPDK2	Ø170x115 mm, Drip cup
PP320	320x320x200 mm
PP400	400x400x250 mm
PP500	500x400x250 mm
PP600	600x400x250 mm

Worktop materials

- High-pressure laminate
- Compact laminate
- Polypropylene (PP)
- Epoxy Resin
- Acid resistant stainless steel ASI316
- Ceramics



Ceramic sinks

KKDK1	Ø105x112 mm, Drip cup
KKDK2	250x95x112 mm, Drip cup
KK400	400x400x250 mm
KK500	500x400x250 mm
KK600	600x400x250 mm

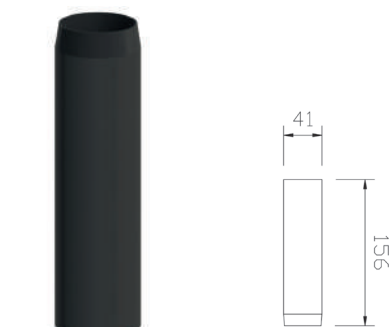


Drain plug 97B0070P



Epoxy Resin sinks

S497	150x70x108 mm, Drip cup
S499	229x76x134 mm, Drip cup
S1000	250x125x150 mm, Drip cup
SDS5-DI	300x200x200 mm
SA5-DI	356x254x152 mm
SN9-DI	406x305x203 mm
SGL 10-DI	400x400x300 mm
SM8-DI	450x365x200 mm
SEL 16-DI	600x450x300 mm
SVL15-DI	635x381x254 mm

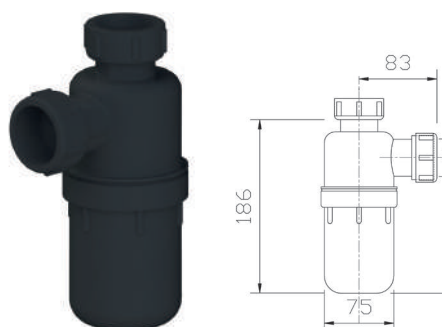


Overflow pipe 158mm 97B0158



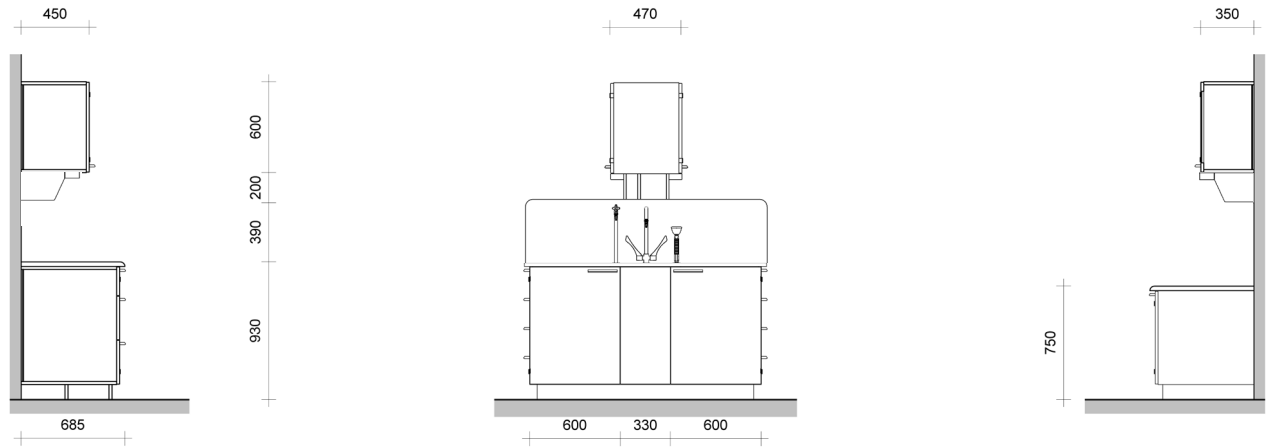
Stainless steel sinks

TR100	Ø100 mm round Funnel
TR150	Ø150 mm round Funnel
DK130	Ø130mm round Drip cup
DK250	250x150x100 mm, Drip cup
A340	340x300x200 mm
A400	400x340x145 mm
A480	480x340x180 mm
A500	500x400x160 mm
A600	600x400x200 mm



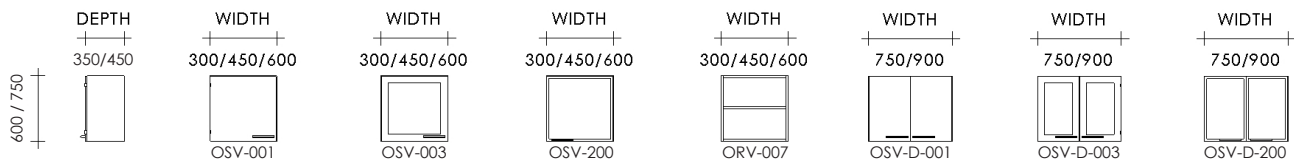
Water trap 97B0080

Production information

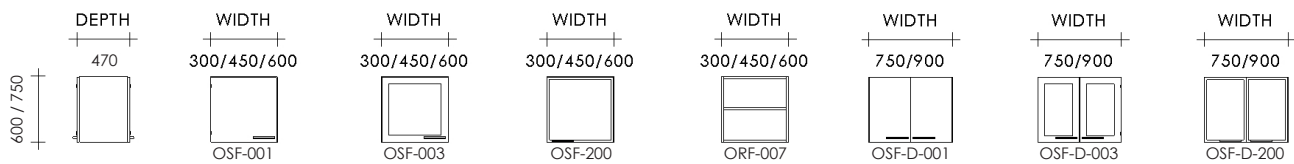


Cabinets

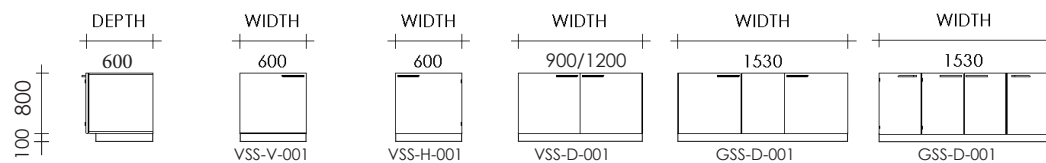
Top cabinet - Wall hanging



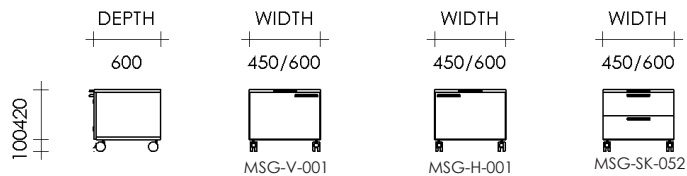
Top cabinet - Free standing



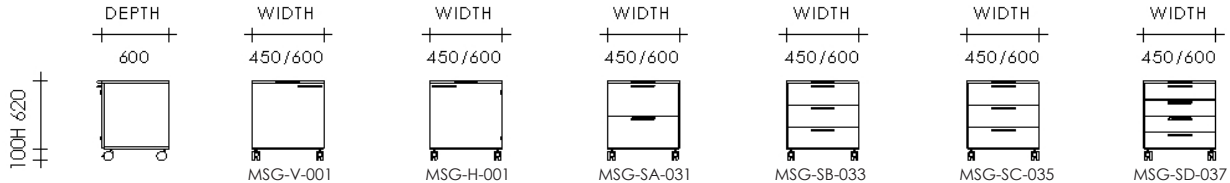
Under bench sink cabinet on plinth



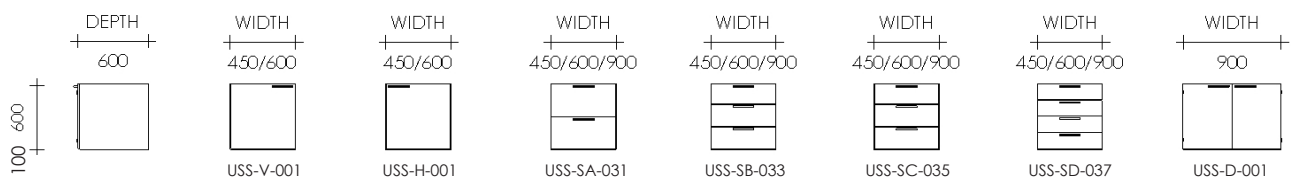
Mobile units - low



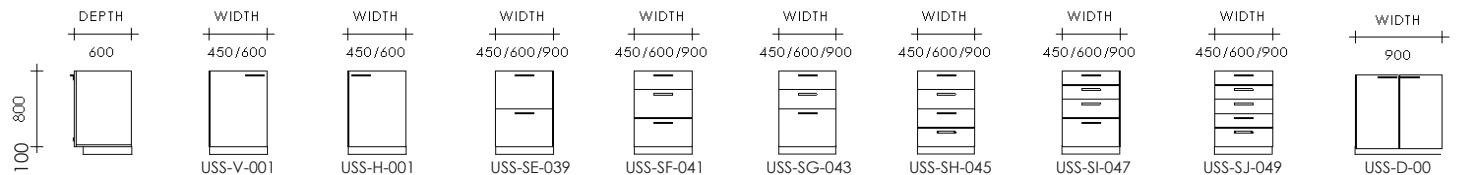
Mobile units - high

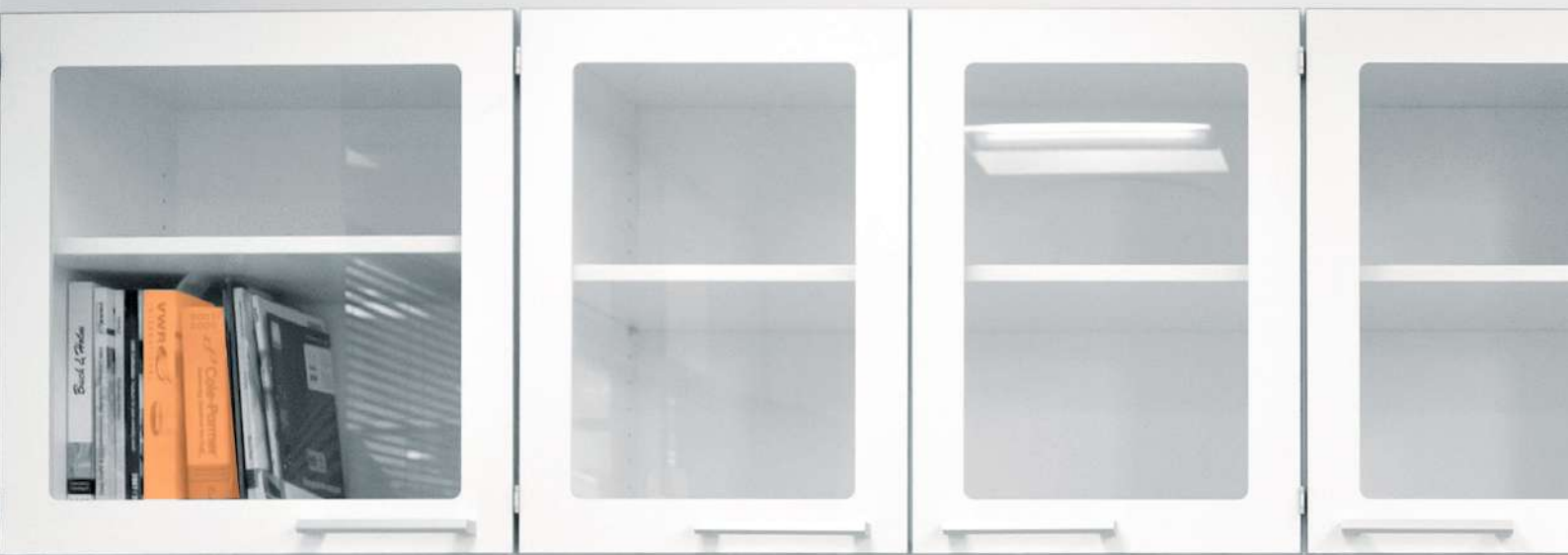


Under bench cabinet on plinth - low



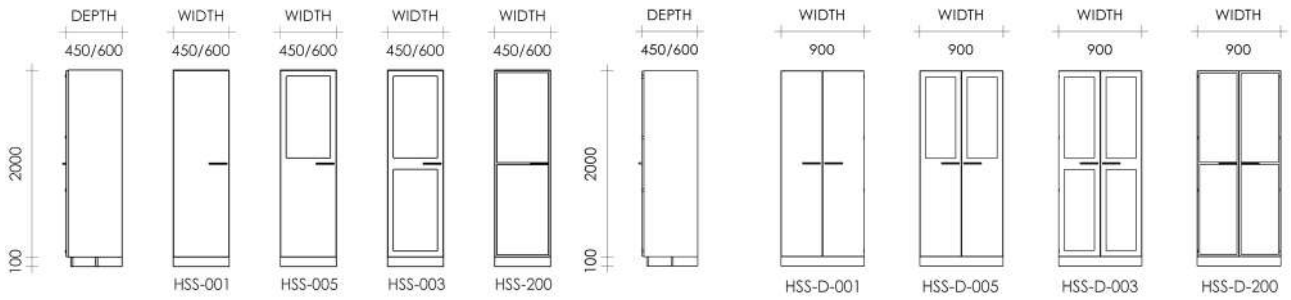
Under bench cabinet on plinth - high





Tall storage cabinets

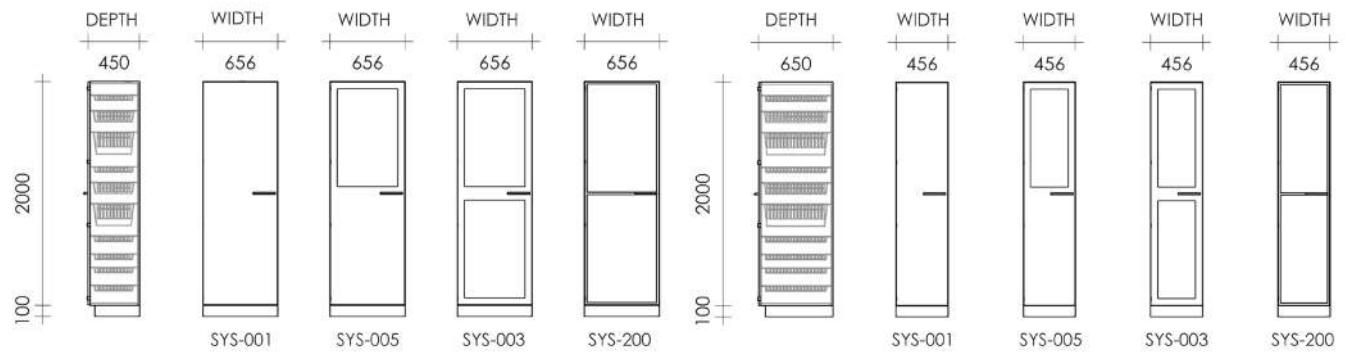
Storage cabinets HSS



Adjustable shelves



Storage cabinets system 60/40 for trays and baskets

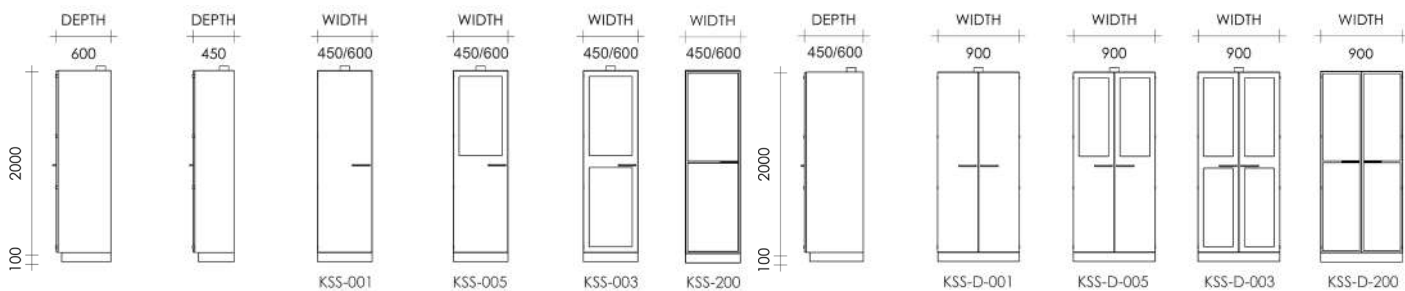


Trays and baskets



See the selection of trays and baskets in a separate brochure

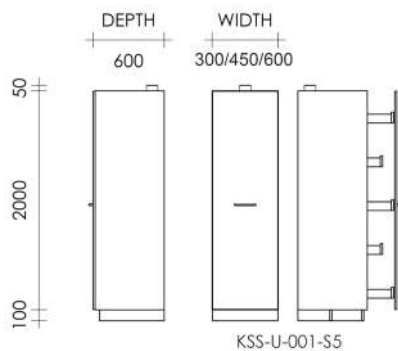
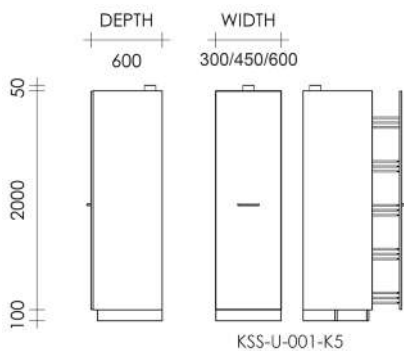
Storage cabinets KSS for chemicals and poison with moveable shelves protected by glass / depth 450 mm and 600 mm



Adjustable shelves with protective glass



Storage cabinets KSS for chemicals and poison with pull-out / depth 600 mm



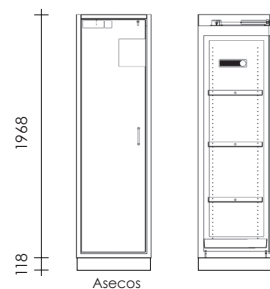
Pull-out door and 5 pc. of moveable wire baskets



Pull-out door and drawers with soft-close



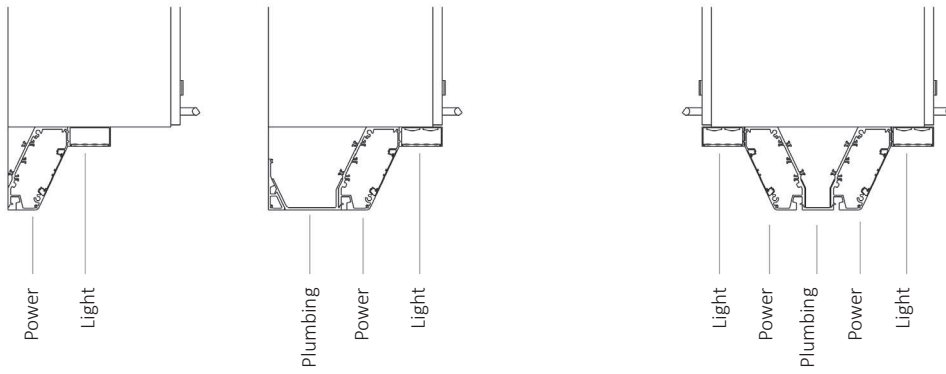
Fire cabinet / depth 617 mm



Fire Resistant acid / chemicals cupboard with self closing door

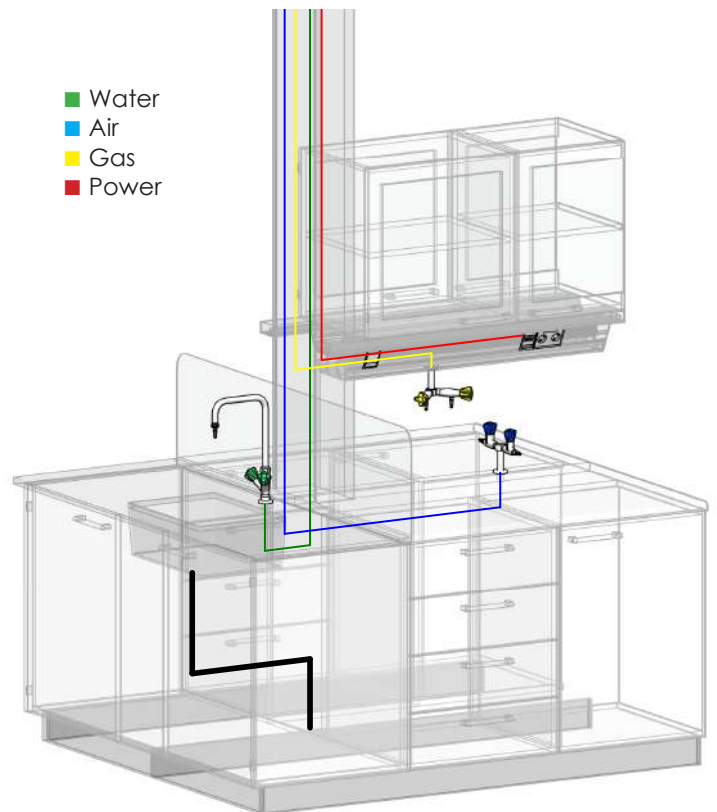
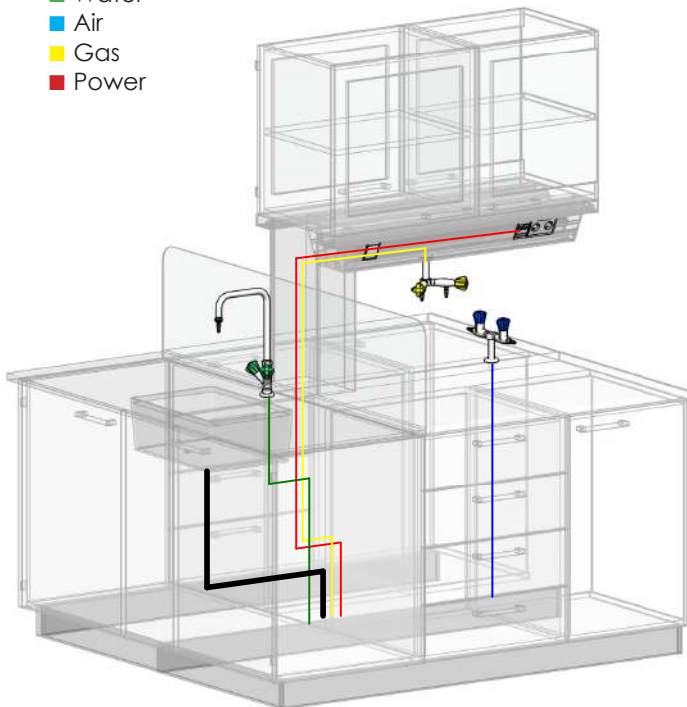


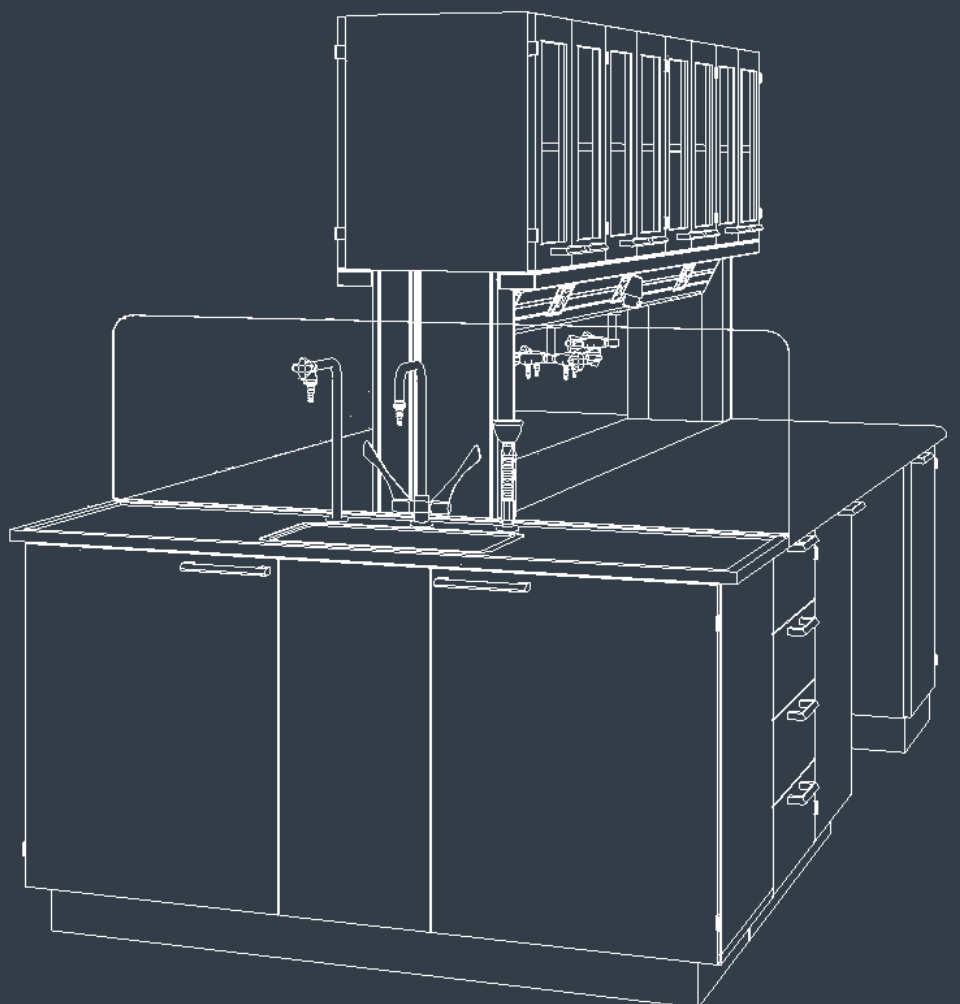
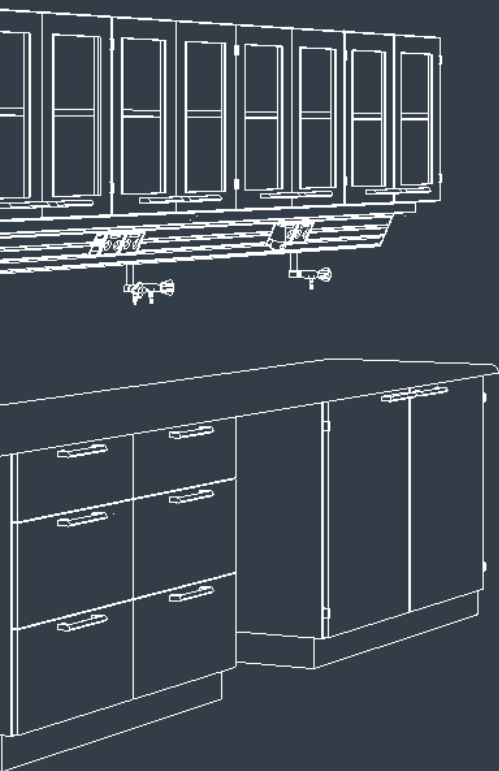
System Capacity



Installations

- Water
- Air
- Gas
- Power





labmodul

Valhøjs Alle 190, DK-2610 Rødovre, Tlf. +45 70 21 21 89